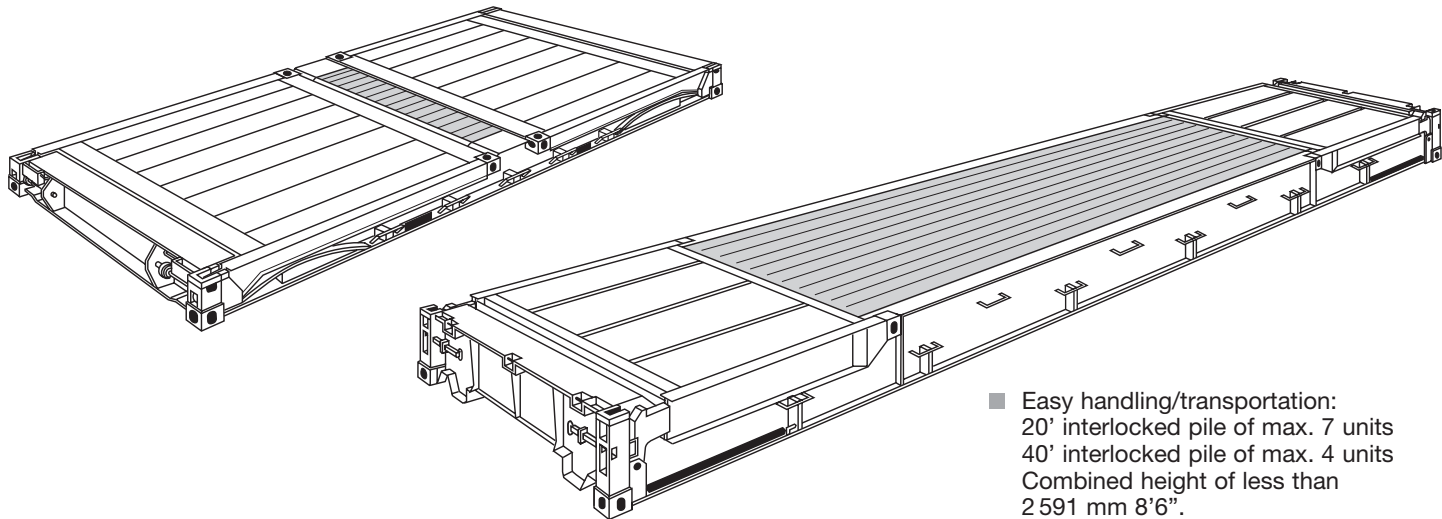


Flat-Collapsible and/or Convertible into a Platform

20'/40'

ISO Size Type Code: according to Flat Series



- Especially for heavy loads and oversized cargo.
- Strong bottom construction.
- Gooseneck tunnel on both ends of all 40' platforms.
- Static load up to 85 000 kg as a 40' foundation base. On request available
- Other features please see comparatively flat series.
- Timber treated according to Australian requirements.
- Numerous very strong lashing devices.
- Easy handling/transportation:
20' interlocked pile of max. 7 units
40' interlocked pile of max. 4 units
Combined height of less than 2591 mm 8'6".
- Transport of heavy loads concentrated on a small load transfer area is possible.
- **Special requirements for big and more heavy cargoes, please contact our special cargo department. Solution plans are already worked out or will be calculated.**

Blumarine Italia: ph: +39 010 8376500 - info@blumarineitalia.com - www.blumarineitalia.com

Platform

20' / 40'

Construction	Inside Dimensions			Weights		
	Length	Width	Height of bottom	Max. Gross	Tare	Max. Payload
	mm ft	mm ft	mm ft	kg lbs	kg lbs	kg lbs

1'11/4" high

Steel container with collapsible flushfolding endwalls – can be converted to a platform	6 058 20'	2 438 8'	370 1'29/16"	30 480 67 200	2 520 5 560	27 960 61 640
	6 058 20'	2 438 8'	370 1'29/16"	34 000 74 950	2 740 6 040	31 260 68 910
	6 058 20'	2 438 8'	370 1'29/16"	40 000 88 180	2 940 6 480	37 060 81 700

2' high

Steel container with collapsible flushfolding endwalls – can be converted to a platform	12 192 40'	2 245 7'43/8"	648 2'11/2"	45 000 99 210	5 700 12 570	39 300 86 640
	12 192 40'	2 245 7'43/8"	648 2'11/2"	50 000 110 230	5 950 13 120	44 050 97 110