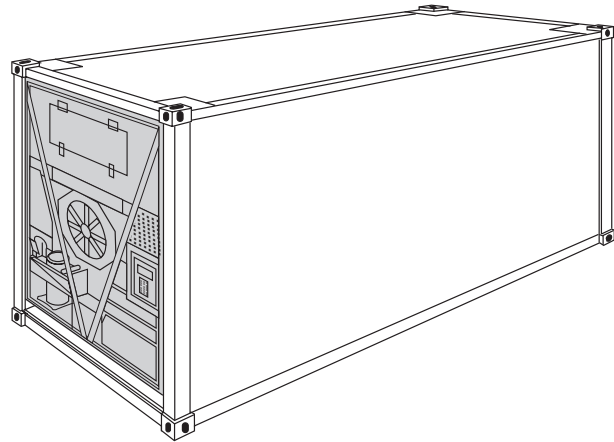


# Refrigerated Container (Temperature Controlled Container)

20'

ISO Size Type Code: 22 R1  
(22 R9)



- State of the art insulation factors.
- Container available for set points as low as  $-35^{\circ}$  C.
- De-humidification option available.
- Cold treatment available (USDA).
- 20' Boxes with up to 29.9 qm capacity.
- Controlled fresh-air supply with up to 280 qm/h.
- ATO-DLO certification for flowerbulk.
- Integrated datalogger storing temperatures and events hourly.
- Low power consumption.
- Only environmental friendly refrigerants used.
- Dedicated equipment for non-foodstuff cargoes.
- Other series solely for foodstuff cargoes.
- Please note maximum stowage height in below table and as indicated by red line inside the container in order to ensure proper air circulation.
- Voltages: 380 V/50 Hz to 460 V/60 Hz
- Technical specification and illustration of electric plugs see page 44.
- The Container is designed to maintain the setpoint temperature.
- All cargo shall be pre-cooled to match the required in transit temperature.
- Especially for cargo which needs controlled temperatures above or below freezing point.
- Suitable for clip-on generators
- Freshair recording available

**Blumarine Italia: ph: +39 010 8376500 - [info@blumarineitalia.com](mailto:info@blumarineitalia.com) - [www.blumarineitalia.coma.coma.com](http://www.blumarineitalia.coma.coma.com)**

## Refrigerated Container

20'

Containers are available for set points as low as **-35° C** and up to **+30° C**, please contact Cigisped for availability.

| Construction                  | Inside Dimensions                            |               |  |  | Door Opening  |  | Weights          |                |                  | Capacity                |
|-------------------------------|--|---------------|--|--|---------------|--|------------------|----------------|------------------|-------------------------|
|                               | Length                                       | Width         | Height                                     | Max. stow. Height                          | Width         | Height                                     | Max. Gross       | Tare           | Max. Payload     |                         |
|                               | mm<br>ft                                     | mm<br>ft      | mm<br>ft                                   | mm<br>ft                                   | mm<br>ft      | mm<br>ft                                   | kg<br>lbs        | kg<br>lbs      | kg<br>lbs        | m <sup>3</sup><br>cu.ft |
| <b>8'6" high</b>              |  |               |  |  |               |  |                  |                |                  |                         |
| Steelframe,<br>Sandwich walls | 5 479<br>17'11 <sup>5</sup> / <sub>8</sub> " | 2 286<br>7'6" | 2 257<br>7'4 <sup>7</sup> / <sub>8</sub> " | 2 157<br>7'7 <sup>1</sup> / <sub>8</sub> " | 2 286<br>7'6" | 2 220<br>7'3 <sup>3</sup> / <sub>8</sub> " | 30 480<br>67 200 | 3 160<br>6 970 | 27 320<br>60 230 | 28,3<br>999             |

### Remarks:

- 3) Prepared for being equipped with additional cargo temperature sensors (USDA).
- 4) De-humidification option installed.
- 5) **Not to be used for foodstuffs. ISO size type code: 22 R9**

## Refrigerated Container

20'

Containers are available for set points as low as **-35° C** and up to **+30° C**, please contact Cigisped for availability.

| Construction                  | Inside Dimensions                            |  |  |  | Door Opening                               |  | Weights                    |                   |                              | Capacity<br>m <sup>3</sup><br>cu.ft |
|-------------------------------|--|--|--|--|--|--|----------------------------|-------------------|------------------------------|-------------------------------------|
|                               | Length<br>mm<br>ft                           | Width<br>mm<br>ft                          | Height<br>mm<br>ft                         | Max. stow.<br>Height<br>mm<br>ft           | Width<br>mm<br>ft                          | Height<br>mm<br>ft                         | Max.<br>Gross<br>kg<br>lbs | Tare<br>kg<br>lbs | Max.<br>Payload<br>kg<br>lbs |                                     |
| <b>8'6" high</b>              |  |  |  |  |  |  |                            |                   |                              |                                     |
| Steelframe,<br>Sandwich walls | 5 452<br>17'10 <sup>5</sup> / <sub>8</sub> " | 2 293<br>7'6 <sup>1</sup> / <sub>4</sub> " | 2 252<br>7'4 <sup>5</sup> / <sub>8</sub> " | 2 152<br>7'3 <sup>3</sup> / <sub>4</sub> " | 2 290<br>7'6 <sup>1</sup> / <sub>8</sub> " | 2 265<br>7'5 <sup>1</sup> / <sub>8</sub> " | 30 480<br>67 200           | 3 160<br>6 970    | 27 320<br>60 230             | 28,3<br>999                         |